

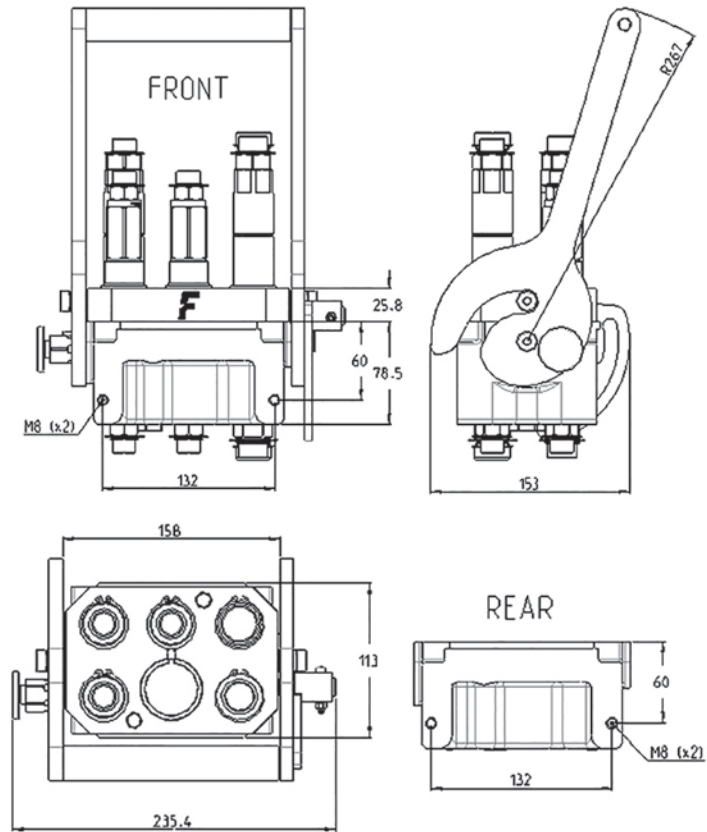


MF PLK

MultiFaster for harvesting application, 2 lines size 06, 3 lines size 09.

PLK series MultiFaster has been developed for harvesting applications. Interchangeable according to market driven standards. Two lines size 06, three lines size 09.

Applications



Technical Specifications

dash	Size mm	inch	Working Pressure (MPa)	Flow Rate (l/min)	Spillage (ml)	Burst pressure (MPa)		
						Male	Female	Male + Female
06	10	3/8"	25	20	0.02	100	69	88
09	14.3	9/16"	25	35	0.02	100	69	88

Material	Cast Iron; Steel
Seals	NBR; PUR
Working temperatures	- 25 °C to + 100 °C
Surface treatment	MATE 500 (CrIII)

Valve Type	Flat
Connection	Lever
Disconnection	Lever
Connection Under Pressure	Allowed Male Half up to W.P.



PLK

Size					Thread Type					FIXED
dash	mm	inch	Housing	Number of Couplings	Thread Type	Standard	Thread	Electrical Connector N	Connector Type	Part Number
06	10	3/8"	6	2	11/ SAE	ISO 8434-3	11/16"-16 UN MALE ORFS			3PLK-0-5-B F C
09	14.3	9/16"		1	11/ SAE	ISO 8434-3	11/16"-16 UN MALE ORFS			
09	14.3	9/16"		1	11/ SAE	ISO 8434-3	13/16"-16 UN MALE ORFS			
09	14.3	9/16"		1	11/ SAE	ISO 8434-3	1"-14 UNS MALE ORFS			
06	10	3/8"	6	2	11/ SAE	ISO 8434-3	11/16"-16 UN MALE ORFS			3PLK-0-5-A F C
09	14.3	9/16"		1	11/ SAE	ISO 8434-3	11/16"-16 UN MALE ORFS			
09	14.3	9/16"		1	11/ SAE	ISO 8434-3	13/16"-16 UN MALE ORFS			
09	14.3	9/16"		1	11/ SAE	ISO 8434-3	1"-14 UNS MALE ORFS			

Size					Thread Type					MOBILE
dash	mm	inch	Housing	Number of Couplings	Thread Type	Standard	Thread	Electrical Connector N	Connector Type	Part Number
06	10	3/8"	6	2	11/ SAE	ISO 8434-3	11/16"-16 UN MALE ORFS			3PLK-0-5-C M C
09	14.3	9/16"		3	11/ SAE	ISO 8434-3	11/16"-16 UN MALE ORFS			
06	10	3/8"	6	2	11/ SAE	ISO 8434-3	11/16"-16 UN MALE ORFS			3PLK-0-4-A M C
09	14.3	9/16"		1	11/ SAE	ISO 8434-3	11/16"-16 UN MALE ORFS			
09	14.3	9/16"		1	11/ SAE	ISO 8434-3	13/16"-16 UN MALE ORFS			
06	10	3/8"	6	2	11/ SAE	ISO 8434-3	11/16"-16 UN MALE ORFS			3PLK-0-5-B M C
09	14.3	9/16"		1	11/ SAE	ISO 8434-3	11/16"-16 UN MALE ORFS			
09	14.3	9/16"		1	11/ SAE	ISO 8434-3	13/16"-16 UN MALE ORFS			
09	14.3	9/16"		1	11/ SAE	ISO 8434-3	1"-14 UNS MALE ORFS			
06	10	3/8"	6	2	11/ SAE	ISO 8434-3	11/16"-16 UN MALE ORFS			3PLK-0-5-A M C
09	14.3	9/16"		1	11/SAE	ISO 8434-3	11/16"-16 UN MALE ORFS			
09	14.3	9/16"		1	11/ SAE	ISO 8434-3	13/16"-16 UN MALE ORFS			
09	14.3	9/16"		1	11/ SAE	ISO 8434-3	1"-14 UNS MALE ORFS			
06	10	3/8"	6	2	0/ SAE	ISO 11926-1	3/4"-16 UNF MALE ORFS			3PLK-0-2-C M C
09	14.3	9/16"	6	1	11/ SAE	ISO 8434-3	13/16"-16 UN MALE ORFS			3PLK-0-2-B M C
09	14.3	9/16"		1	11/ SAE	ISO 8434-3	1"-14 UNS MALE ORFS			
06	10	3/8"	6	2	11/ SAE	ISO 8434-3	11/16"-16 UN MALE ORFS			3PLK-0-2-A M C

Spare Parts & Accessories

Female Half				Male Half					
Plates	Lever	Dust cover	Safety Lock	Plates	Seals male	Screws	Plugs	Guiding pins	Docking
KIT PLK F L	KIT LPLG		KIT SP6	KIT PLK M	SK MF 38	KIT VPLK M	KIT TSP 12 M		
					SK MF 916		KIT TPLK 32		

Couplings spare parts table is available on the Product catalogue (<https://www.fastercouplings.com/catalogs>), page 384

