



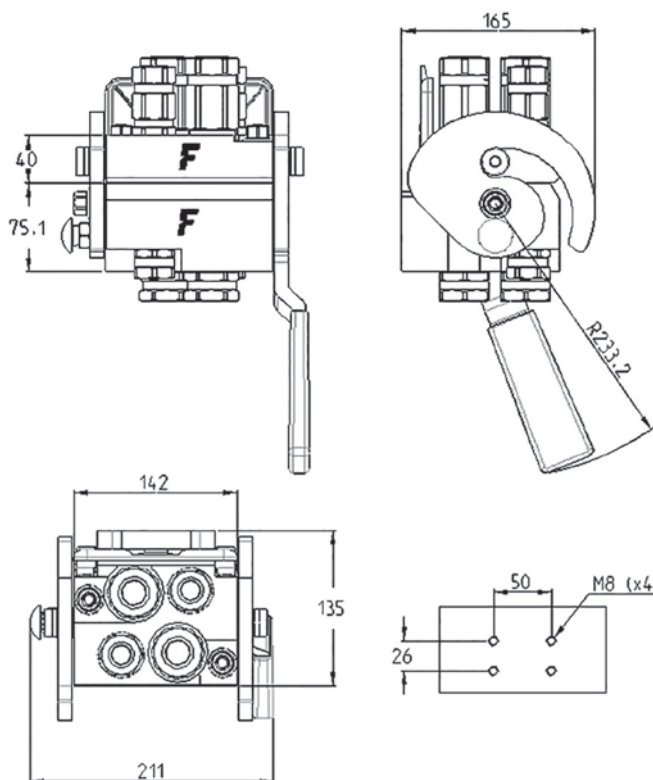
MF PH510S

MultiFaster, high pressure version, 2 lines size 08, 2 lines size 12.

New multi-connection system specifically designed to withstand high pressure applications (42 MPa). Equipped with 2 lines size 08 and 2 lines size 12. Black cataphoresis plates with Zn-Ni plated carbon steel handle and cams or red paint plates with stainless steel handle and cams.



Applications



Technical Specifications

dash	Size mm	inch	Working Pressure (MPa)	Flow Rate (l/min)	Spillage (ml)	Burst pressure (MPa)		
						Male	Female	Male + Female
08	12.5	1/2"	46	60	0.01	138	138	138
12	20	3/4"	46	105	0.02	138	138	138

Material	Aluminium; Stainless Steel
Seals	NBR; PUR
Working temperatures	- 25 °C to + 100 °C
Surface treatment	MATE 1000 (ZnNi); Paint

Valve Type	Flat
Connection	Lever
Disconnection	Lever
Connection Under Pressure	Allowed Residual



PH510S

Size					Thread Type					FIXED
dash	mm	inch	Housing	Number of Couplings	Thread Type	Standard	Thread	Electrical N	Connector Type	Part Number
08	12.5	1/2"	4	2	F BSPP	ISO 1179-1	BSPP 1/2" FEMALE			PH510S-3-A F C
08	12.5	1/2"		1	F BSPP	ISO 1179-1	BSPP 1/2" FEMALE			PH510S-4-A F C
12	20	3/4"	4	2	F BSPP	ISO 1179-1	BSPP 3/4" FEMALE			PH510S-3-A F C
12	20	3/4"		2	F BSPP	ISO 1179-1	BSPP 3/4" FEMALE			PH510S-4-A F C
08	12.5	1/2"	4	2	F BSPP	ISO 1179-1	BSPP 1/2" FEMALE			PH510-4-A F C
12	20	3/4"		2	F BSPP	ISO 1179-1	BSPP 3/4" FEMALE			

Size					Thread Type					MOBILE
dash	mm	inch	Housing	Number of Couplings	Thread Type	Standard	Thread	Electrical N	Connector Type	Part Number
08	12,5	1/2"	4	2	F BSPP	ISO 1179-1	BSPP 1/2" FEMALE			3PH510S-4-A M C
08	12,5	1/2"		2	F BSPP	ISO 1179-1	BSPP 1/2" FEMALE			3PH510S-4-B M C
08	12,5	1/2"	4	1	F BSPP	ISO 1179-1	BSPP 1/2" FEMALE			3PH510S-3-A M C
12	20	3/4"		2	F BSPP	ISO 1179-1	BSPP 3/4" FEMALE			3PH510S-4-A M C
12	20	3/4"	4	2	F BSPP	ISO 1179-1	BSPP 3/4" FEMALE			3PH510S-4-B M C
12	20	3/4"		2	F BSPP	ISO 1179-1	BSPP 3/4" FEMALE			3PH510S-3-A M C
08	12.5	1/2"	4	2	F BSPP	ISO 1179-1	BSPP 1/2" FEMALE			3PH510-4-A M C
12	20	3/4"		2	F BSPP	ISO 1179-1	BSPP 3/4" FEMALE			

Spare Parts & Accessories

PH510

Female Half				Male Half					
Plates	Lever	Dust cover	Safety Lock	Plates	Seals male	Screws	Plugs	Guiding pins	Docking
KIT PH510 F L	KIT LPH510	KIT TA PH510	KIT SP5 7	KIT PH510 M	SK 3FFH 08	KIT VPH	KIT TSP 12 M	KIT GPH	
					SK 3FFH 12		KIT TSP 34 M		

Couplings spare parts table is available on the Product catalogue (<https://www.fastercouplings.com/catalogs>), page 386

PH510S

Female Half				Male Half					
Plates	Lever	Dust cover	Safety Lock	Plates	Seals male	Screws	Plugs	Guiding pins	Docking
	KIT LPH510S	KIT TA PH510	KIT SP5 7		SK 3FFH 08	KIT VPH	KIT TSP 12 M	KIT GPH	
					SK 3FFH 12		KIT TSP 34 M		

Couplings spare parts table is available on the Product catalogue (<https://www.fastercouplings.com/catalogs>), page 386

