



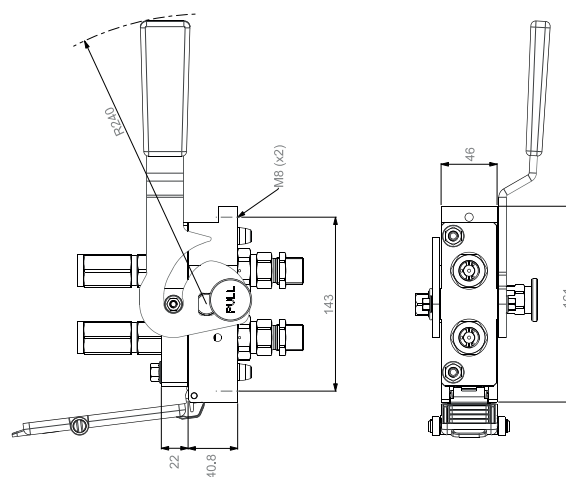
MF PC206

MultiFaster 2 lines, size o6. ISO 16028 individual couplings connectable.

Thanks to the special cartridges design, it's possible to connect to this series either a PC206 mobile half or up to two ISO 16028 3/8" individual couplings.



Applications



Technical Specifications

dash	Size mm	inch	Working Pressure (MPa)	Flow Rate (l/min)	Spillage (ml)	Burst pressure (MPa)		
						Male	Female	Male + Female
06	10	3/8"	25	40	0.008	100	100	100

Material	Aluminium; Steel
Seals	NBR; PUR
Working temperatures	- 25 °C to + 100 °C
Surface treatment	MATE 500 (CrIII); Paint

Valve Type	Flat
Connection	Lever
Disconnection	Lever
Connection Under Pressure	Allowed Residual



PC206

Size					Thread Type					FIXED
dash	mm	inch	Housing	Number of Couplings	Thread Type	Standard	Thread	Electrical Connector N	Connector Type	Part Number
06	10	3/8"	2	2	07/METRIC	ISO 8434-1-L	M22X1.5 MALE BULKHEAD SHORT 15L			2PC206-2-7/22 FC

Size					Thread Type					MOBILE
dash	mm	inch	Housing	Number of Couplings	Thread Type	Standard	Thread	Electrical Connector N	Connector Type	Part Number
06	10	3/8"	2	2	F BSPP	ISO 1179-1	BSPP 3/8" FEMALE			3PC206-2-38G MC

Spare Parts & Accessories

Female Half				Male Half					
Plates	Lever	Dust cover	Safety Lock	Plates	Seals male	Screws	Plugs	Guiding pins	Docking
					SK MF 38		KIT TSP 12 M		

