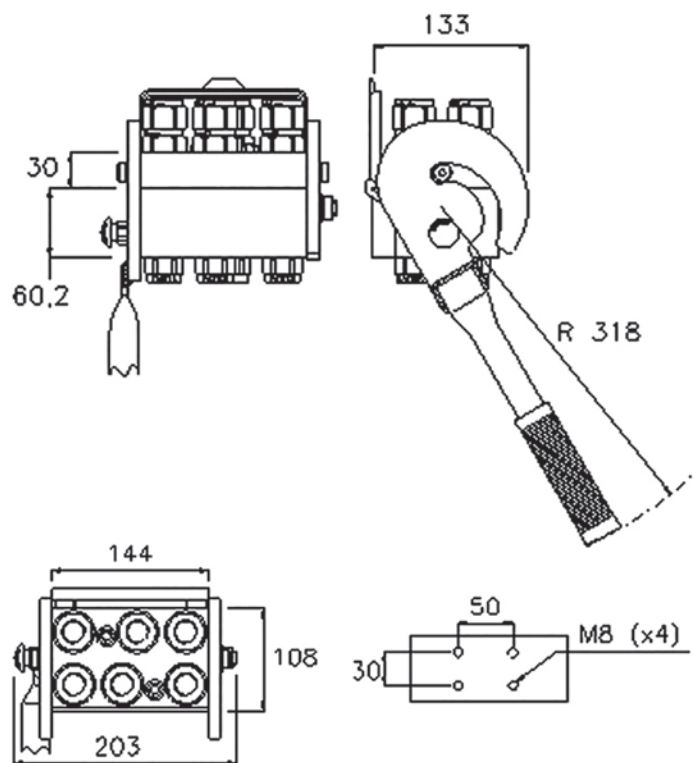




MF P608G

MultiFaster 6 lines, size 08, "G" type, with greaser and Zinc-Nickel plating.

Applications



Technical Specifications

dash	Size mm	inch	Working Pressure (MPa)	Flow Rate (l/min)	Spillage (ml)	Burst pressure (MPa)		
						Male	Female	Male + Female
08	12.5	1/2"	25	70	0.01	100	100	100

Material	Aluminium; Steel
Seals	NBR; PUR
Working temperatures	- 25 °C to + 100 °C
Surface treatment	MATE 1000 (ZnNi); Paint

Valve Type	Flat
Connection	Lever
Disconnection	Lever
Connection Under Pressure	Allowed Residual



P608G

Size					Thread Type					FIXED
dash	mm	inch	Housing	Number of Couplings	Thread Type	Standard	Thread	Electrical Connector N	Connector Type	Part Number
08	12.5	1/2"	6	6	F BSPP	ISO 1179-1	BSPP 1/2" FEMALE			2P608G-6-12G FC
08	12.5	1/2"	6	4	03/ METRIC	ISO 8434-1-S	M24x1.5 MALE 16S			2P608G-4-E F C

Size					Thread Type					MOBILE
dash	mm	inch	Housing	Number of Couplings	Thread Type	Standard	Thread	Electrical Connector N	Connector Type	Part Number
08	12.5	1/2"	6	6	F BSPP	ISO 1179-1	BSPP 1/2" FEMALE			3P608G-6-12G MC
08	12.5	1/2"	6	4	F BSPP	ISO 1179-1	BSPP 1/2" FEMALE			3P608G-4-E M C
08	12.5	1/2"	6	6	F BSPP	ISO 1179-1	BSPP 1/2" FEMALE			2P608G-6-12G MC

Spare Parts & Accessories

Female Half				Male Half					
Plates	Lever	Dust cover	Safety Lock	Plates	Seals male	Screws	Plugs	Guiding pins	Docking
	KIT LP608G	KIT TA P608	KIT SP5 7		SK MF 12	KIT VP8 7	KIT TSP 38 M	KIT GP4 7	

