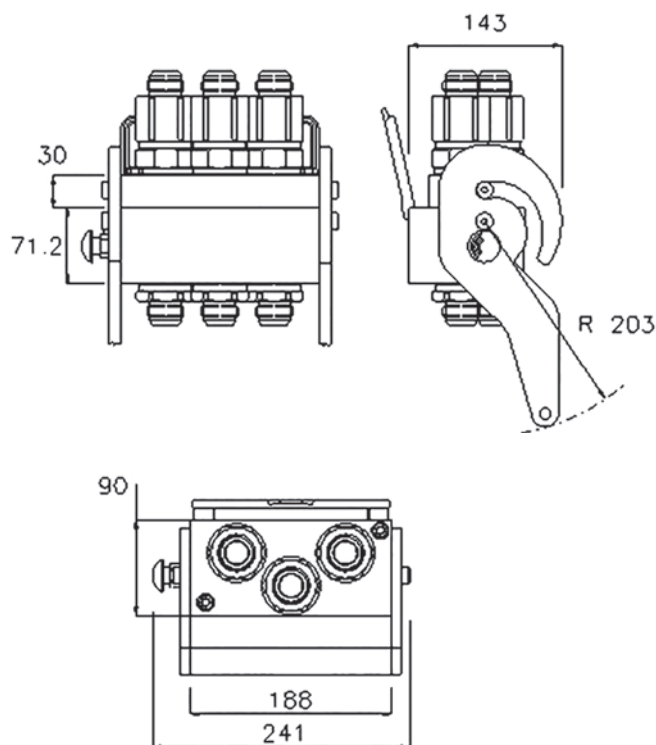




# MF P316

MultiFaster 3 lines, size 16.

## Applications



## Technical Specifications

dash	Size		Working Pressure (MPa)	Flow Rate (l/min)	Spillage (ml)	Burst pressure (MPa)		
	mm	inch				Male	Female	Male + Female
16	25	1"	25	150	0.02	100	100	110

Material	<b>Aluminium; Steel</b>
Seals	<b>NBR; PUR</b>
Working temperatures	<b>- 25 °C to + 100 °C</b>
Surface treatment	<b>MATE 500 (CrIII); Paint</b>

Valve Type	<b>Flat</b>
Connection	<b>Lever</b>
Disconnection	<b>Lever</b>
Connection Under Pressure	<b>Allowed Residual</b>



# P316

Size					Thread Type					FIXED
dash	mm	inch	Housing	Number of Couplings	Thread Type	Standard	Thread	Electrical Connector N	Connector Type	Part Number
16	25	1"	3	3	O/ SAE	ISO 11926-1	1-5/16"-12 UN FEMALE ORB			2P316-3-1S F C
16	25	1"	3	3	F BSPP	ISO 1179-1	BSPP 1" FEMALE			2P316-3-1G F C
16	25	1"	3	2	O/ SAE	ISO 11926-1	1-5/16"-12 UN FEMALE ORB			2P316-2-1S F C
16	25	1"	3	2	F BSPP	ISO 1179-1	BSPP 1" FEMALE			2P316-2-1G F C

Size					Thread Type					MOBILE
dash	mm	inch	Housing	Number of Couplings	Thread Type	Standard	Thread	Electrical Connector N	Connector Type	Part Number
16	25	1"	3	3	O/ SAE	ISO 11926-1	1-5/16"-12 UN FEMALE ORB			3P316-3-1S M C
16	25	1"	3	3	F BSPP	ISO 1179-1	BSPP 1" FEMALE			3P316-3-1G M C
16	25	1"	3	2	O/ SAE	ISO 11926-1	1-5/16"-12 UN FEMALE ORB			3P316-2-1S M C
16	25	1"	3	2	F BSPP	ISO 1179-1	BSPP 1" FEMALE			3P316-2-1G M C

## Spare Parts & Accessories

Female Half				Male Half					
Plates	Lever	Dust cover	Safety Lock	Plates	Seals male	Screws	Plugs	Guiding pins	Docking
KIT P316 F L		KIT TA P10	KIT SP5 S		SK MF 1	KIT VP116			

