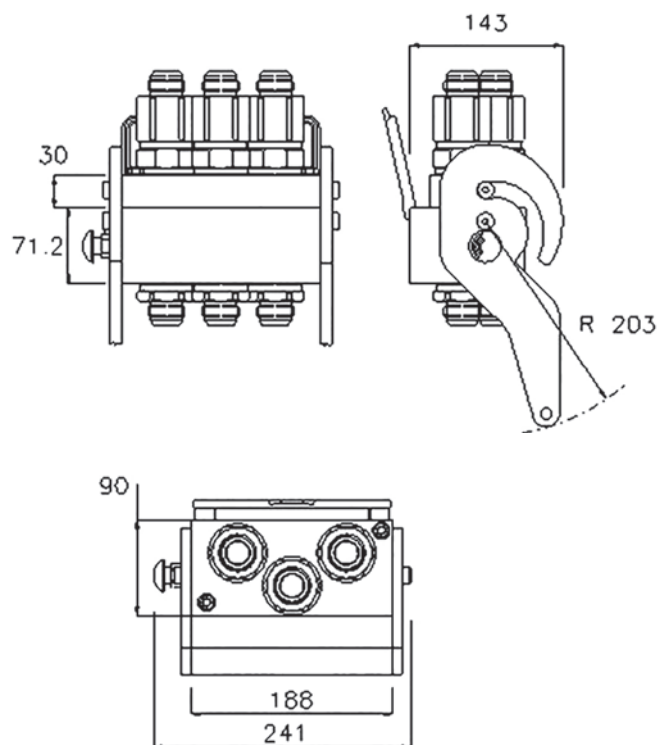




MF P316

MultiFaster 3 lines, size 16.

Applications



Technical Specifications

dash	Size		Working Pressure (MPa)	Flow Rate (l/min)	Spillage (ml)	Burst pressure (MPa)		
	mm	inch				Male	Female	Male + Female
16	25	1"	25	150	0.02	100	100	110

Material	Aluminium; Steel
Seals	NBR; PUR
Working temperatures	- 25 °C to + 100 °C
Surface treatment	MATE 500 (CrIII); Paint

Valve Type	Flat
Connection	Lever
Disconnection	Lever
Connection Under Pressure	Allowed Residual



P316

Size					Thread Type					FIXED
dash	mm	inch	Housing	Number of Couplings	Thread Type	Standard	Thread	Electrical Connector N	Connector Type	Part Number
16	25	1"	3	3	O/ SAE	ISO 11926-1	1-5/16"-12 UN FEMALE ORB			2P316-3-1S F C
16	25	1"	3	3	F BSPP	ISO 1179-1	BSPP 1" FEMALE			2P316-3-1G F C
16	25	1"	3	2	O/ SAE	ISO 11926-1	1-5/16"-12 UN FEMALE ORB			2P316-2-1S F C
16	25	1"	3	2	F BSPP	ISO 1179-1	BSPP 1" FEMALE			2P316-2-1G F C

Size					Thread Type					MOBILE
dash	mm	inch	Housing	Number of Couplings	Thread Type	Standard	Thread	Electrical Connector N	Connector Type	Part Number
16	25	1"	3	3	O/ SAE	ISO 11926-1	1-5/16"-12 UN FEMALE ORB			3P316-3-1S M C
16	25	1"	3	3	F BSPP	ISO 1179-1	BSPP 1" FEMALE			3P316-3-1G M C
16	25	1"	3	2	O/ SAE	ISO 11926-1	1-5/16"-12 UN FEMALE ORB			3P316-2-1S M C
16	25	1"	3	2	F BSPP	ISO 1179-1	BSPP 1" FEMALE			3P316-2-1G M C

Spare Parts & Accessories

Female Half				Male Half					
Plates	Lever	Dust cover	Safety Lock	Plates	Seals male	Screws	Plugs	Guiding pins	Docking
KIT P316 F L		KIT TA P10	KIT SP5 S	SK P316 M	SK MF 1	KIT VP116		KIT GP4	

Couplings spare parts table is available on the Product catalogue (<https://www.fastercouplings.com/catalogs>), pages 381-383

