

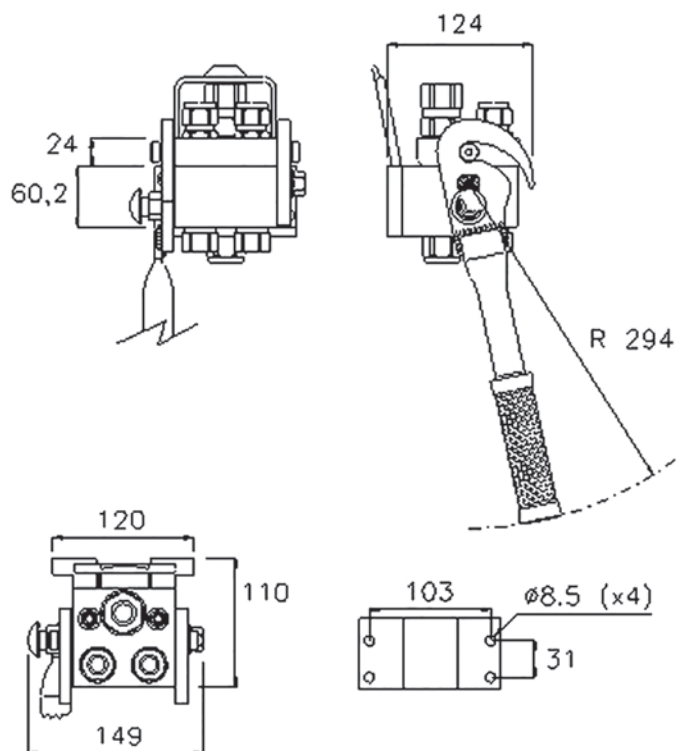


MF P306

MultiFaster 2 lines, size 06, 1 line size 08.

MultiFaster suitable for 2 lines size 06 and 1 line size 08.
Possibility to assemble the electrical connector within the 08 size housing.

Applications



Technical Specifications

dash	Size mm	inch	Working Pressure (MPa)	Flow Rate (l/min)	Spillage (ml)	Burst pressure (MPa)		
						Male	Female	Male + Female
06	10	3/8"	25	40	0.008	100	100	100
08	12.5	1/2"	25	70	0.01	100	100	100

Material	Aluminium; Steel
Seals	NBR; PUR
Working temperatures	- 25 °C to + 100 °C
Surface treatment	MATE 500 (CrIII); Paint

Valve Type	Flat
Connection	Lever
Disconnection	Lever
Connection Under Pressure	Allowed Residual



P306

Size			Housing	Number of Couplings	Thread Type			Electrical Connector		FIXED
dash	mm	inch			Thread Type	Standard	Thread	N	Type	Part Number
06	10	3/8"	3	2	F BSPP	ISO 1179-1	BSPP 3/8" FEMALE	1	3 PINS	2P306-1-2-38GFC
08	12.5	1/2"								
06	10	3/8"	3	2	F BSPP	ISO 1179-1	BSPP 1/2" FEMALE	1	3 PINS	2P306-1-2-12GFC
08	12.5	1/2"								

Size			Housing	Number of Couplings	Thread Type			Electrical Connector		MOBILE
dash	mm	inch			Thread Type	Standard	Thread	N	Type	Part Number
06	10	3/8"	3	2	F BSPP	ISO 1179-1	BSPP 3/8" FEMALE	1	3 PINS	2P306-1-2-38GMC
08	12.5	1/2"								
06	10	3/8"	3	2	F BSPP	ISO 1179-1	BSPP 1/2" FEMALE	1	3 PINS	2P306-1-2-12GMC
08	12.5	1/2"								

Spare Parts & Accessories

Female Half				Male Half					
Plates	Lever	Dust cover	Safety Lock	Plates	Seals male	Screws	Plugs	Guiding pins	Docking
KIT P306 F L		KIT TA P2	KIT SP5 S	KIT P306 M	SK MF 38	KIT VP8	KIT TSP 38 M	KIT GP4	
					SK MF 12		KIT TSP 12 M		

