

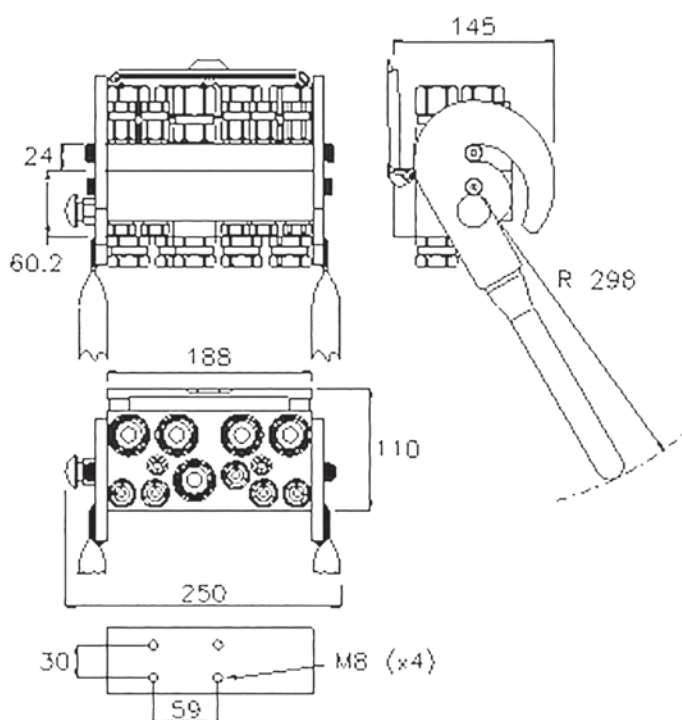


MF P10A

MultiFaster 10 lines.

5 lines size 04, 5 lines size 08.

Applications



Technical Specifications

dash	Size mm	inch	Working Pressure (MPa)	Flow Rate (l/min)	Spillage (ml)	Burst pressure (MPa)		
						Male	Female	Male + Female
04	6.3	1/4"	25	20	0.008	100	100	100
08	12.5	1/2"	25	70	0.01	100	100	100

Material	Aluminium; Steel
Seals	NBR; PUR
Working temperatures	- 25 °C to + 100 °C
Surface treatment	MATE 500 (CrIII); Paint

Valve Type	Flat
Connection	Lever
Disconnection	Lever
Connection Under Pressure	Allowed Residual



P10A

Size					Thread Type					FIXED
dash	mm	inch	Housing	Number of Couplings	Thread Type	Standard	Thread	Electrical Connector N	Connector Type	Part Number
04	6.3	1/4"	10	4	F BSPP	ISO 1179-1	BSPP 3/8" FEMALE			2P10A-A1-7-A FC
08	12.5	1/2"		3	F BSPP	ISO 1179-1	BSPP 3/4" FEMALE			
08	12.5	1/2"						1	3 PINS	
08	12.5	1/2"						1	7 PINS	
04	6.3	1/4"	10	5	F BSPP	ISO 1179-1	BSPP 1/4" FEMALE			2P10A-10-B F C
08	12.5	1/2"		5	F BSPP	ISO 1179-1	BSPP 1/2" FEMALE			
04	6.3	1/4"	10	5	O/ SAE	ISO 11926-1	9/16"-18 UNF FEMALE ORB			2P10A-10-A F C
08	12.5	1/2"		5	O/ SAE	ISO 11926-1	1-1/16"-12 UN FEMALE ORB			
04	6.3	1/4"	10	5	O/ SAE	ISO 11926-1	9/16"-18 UNF FEMALE ORB			3P10A-10-D FGC
08	12.5	1/2"		5	O/ SAE	ISO 11926-1	1-1/16"-12 UN FEMALE ORB			

Size					Thread Type					MOBILE
dash	mm	inch	Housing	Number of Couplings	Thread Type	Standard	Thread	Electrical Connector N	Connector Type	Part Number
04	6.3	1/4"	10	5	F BSPP	ISO 1179-1	BSPP 1/4 FEMALE			3P10A-10-B M C
08	12.5	1/2"		5	F BSPP	ISO 1179-1	BSPP 1/2 FEMALE			
04	6.3	1/4"	10	4	F BSPP	ISO 1179-1	BSPP 3/8" FEMALE			2P10A-A1-7-A MC
08	12.5	1/2"		3	F BSPP	ISO 1179-1	BSPP 3/4" FEMALE			
08	12.5	1/2"						1	3 PINS	
08	12.5	1/2"						1	7 PINS	
04	6.3	1/4"	10	5	O/ SAE	ISO 11926-1	9/16"-18 UNF FEMALE ORB			2P10A-10-A M C
08	12.5	1/2"		5	O/ SAE	ISO 11926-1	1-1/16"-12 UN FEMALE ORB			
04	6.3	1/4"	10	5	F BSPP	ISO 1179-1	BSPP 1/4" FEMALE			3P10A-10-C MGC
08	12.5	1/2"		5	F BSPP	ISO 1179-1	BSPP 1/2" FEMALE			

Spare Parts & Accessories

Female Half				Male Half					
Plates	Lever	Dust cover	Safety Lock	Plates	Seals male	Screws	Plugs	Guiding pins	Docking
	KIT LP10A	KIT TA P9	KIT SP5 S		SK MF 14	KIT VP8	KIT TSP 38 M	KIT GP4	
					SK MF 12				

