

# FPI



## Flat Face Female couplings for Power Beyond applications, as specified by ISO 17567.

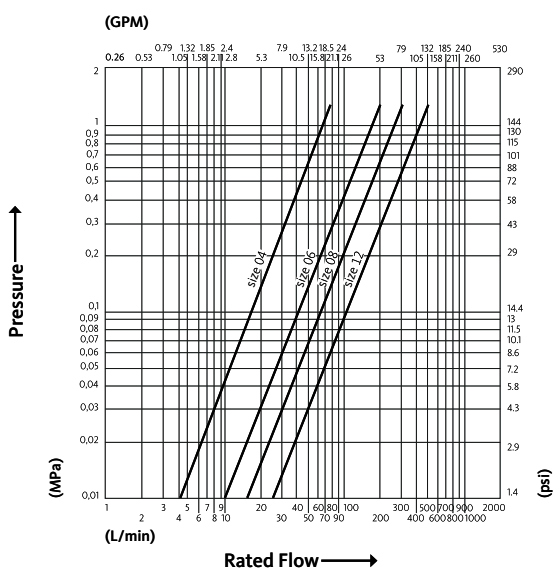
Female Couplings specifically designed for Power Beyond applications, interchangeable according to ISO 16028. Connection under pressure allowed. Breakaway function.



## Applications



## Pressure Drop



Test performed according to ISO 18869

## Technical Specifications

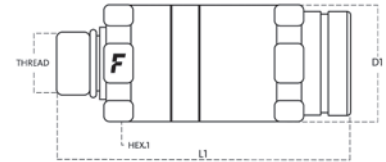
dash	Size mm	inch	Working Pressure (MPa)	Flow Rate (l/min)	Spillage (ml)	Force to Connect (N)	Burst pressure (MPa)		
							Male	Female	Male + Female
04	6.3	1/4"	25	25	0.006	112	100	100	100
06	10	3/8"	25	47	0.01	190	100	100	100
08	12.5	1/2"	25	92	0.01	300	100	100	100
10	16	5/8"	25	125	0.02	330	100	100	100
12	20	3/4"	25	152	0.03	345	100	100	100
16	25	1"	25	210	0.03	410	100	100	100

Material	Steel
Seals	NBR; PUR
Working temperatures	- 25 °C to + 100 °C
Surface treatment	MATE 500 (CrIII)
Series Interchange	ISO 16028 - ISO 17567

Valve Type	Flat
Connection	Push to Connect
Disconnection	Pull to Disconnect
Connection Under Pressure	Allowed Male Half up to W.P. and residual in Female Half in 5FPI

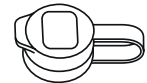


# FPI

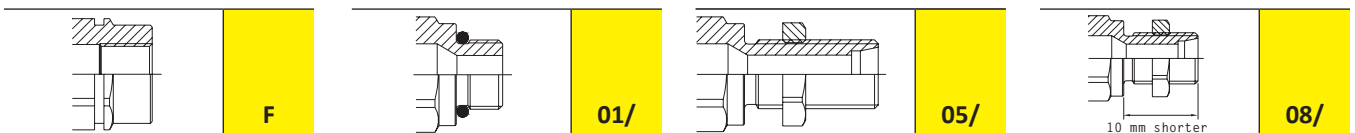


Size		Thread details			FEMALE							
mm	inch	Thread Type	Standard	Thread	Part Number	L (L1 + Thread)		D1		HEX1		
						mm	inch	mm	inch	mm	inch	
6.3	1/4"	01/ METRIC	ISO 6149-2	M14x1.5 MALE	FPI041/1415 F	89.7	3.53	32	1.26	30	1.18	
6.3	1/4"	F BSPP	ISO 1179-1	BSPP 1/4 FEMALE	FPI04 14GAS F	90	3.54	32	1.26	30	1.18	
6.3	1/4"	05/ METRIC	ISO 8434-1-L	M14x1.5 MALE BULKHEAD	FPI045/1415 F	111.8	4.40	32	1.26	30	1.18	
10	3/8"	F BSPP	ISO 1179-1	BSPP 1/2 FEMALE	FPI06 12GAS F	101.7	4.00	36	1.42	34	1.34	
12.5	1/2"	08/ METRIC	ISO 8434-1-S	M22x1.5 MALE BULKHEAD SHORT	FPI081/2215 F	111	4.37	45	1.77	38	1.50	
16	5/8"	01/ METRIC	ISO 6149-2	M27x2 MALE	FPI101/2720 F	130	5.12	48	1.89	51	2.01	
20	3/4"	01/ METRIC	ISO 6149-2	M27x2 MALE	FPI121/272 F	130.1	5.12	51	2.01	48	1.89	
25	1"	F BSPP	ISO 1179-1	BSPP 3/4" FEMALE	FPI16 34GAS F	140	5.51	64	2.52	60	2.36	

## FPI Accessories



### PVC dust protections



# Power Beyond

Full set of flat face couplings for Power Beyond rear attachments.  
 Faster offer for Power Beyond covers all ports composing the Power Beyond configuration:

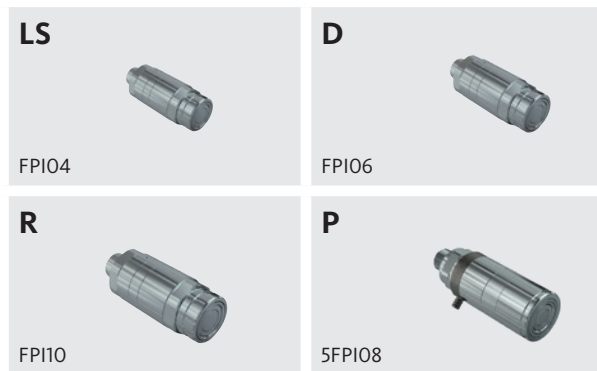
<b>Load Signal Port</b>	<b>Drain Port</b>
<b>Return Port</b>	<b>Pressure Port</b>

Sizes in accordance with class 1 to 3 of ISO 17567 standard.

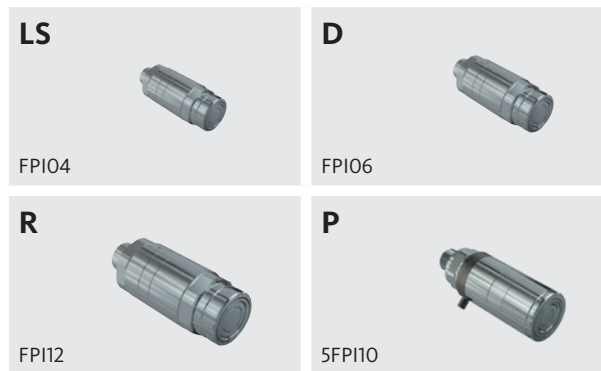
- Class 1** – Up to 45 l/min
- Class 2** – 45 to 74 l/min
- Class 3** – 74 to 100 l/min
- Class 4** – 100 to 220 l/min

## Faster couplings range for Power Beyond applications

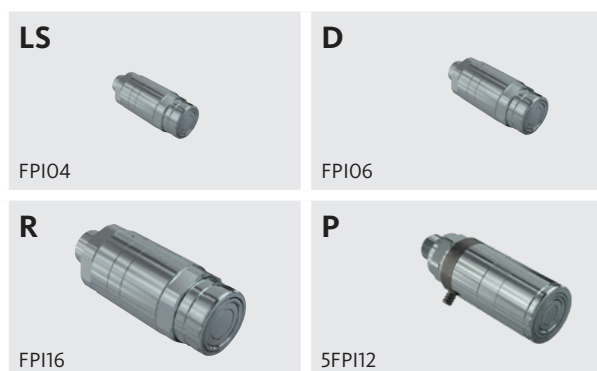
**Flow Class 1**  
Up to 45 l/min



**Flow Class 2**  
45 to 74 l/min



**Flow Class 3**  
74 to 100 l/min



**Flow Class 4**  
100 to 220 l/min

