

# CPV



## Push-pull female couplings for agriculture, panel mounting.

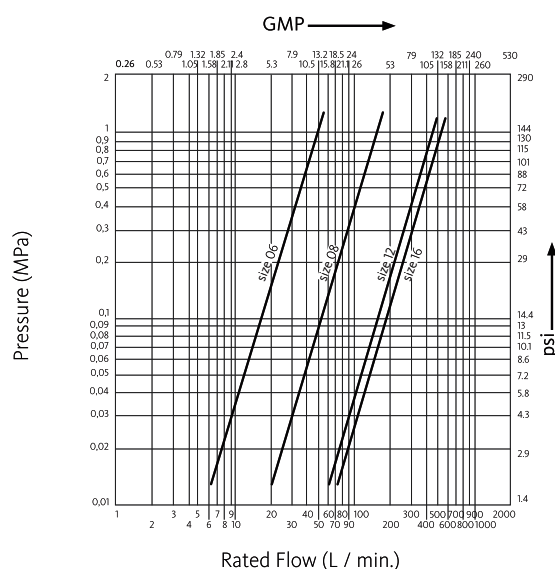
Push-pull female couplings, designed for panel mounting installation. A wide range of threaded adapters is available. Breakaway function. ISO 7241 part A interchange.



## Applications



## Pressure Drop



Test performed according to ISO 18869

## Technical Specifications

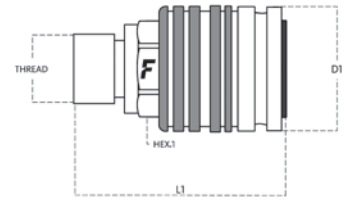
dash	Size mm	inch	Working Pressure (MPa)	Flow Rate (l/min)	Spillage (ml)	Force to Connect (N)	Burst pressure (MPa)		
							Male	Female	Male + Female
06	10	3/8"	27	24	1.3	120	130	110	
08	12.5	1/2"	25	75	1.8	110	120	100	
12	20	3/4"	25	160	5	260	100	100	
16	25	1"	22	270	13	220	110	90	

Material	<b>Steel</b>
Seals	<b>NBR</b>
Working temperatures	<b>- 25 °C to + 125 °C</b>
Surface treatment	<b>MATE 500 (CrIII)</b>
Series Interchange	<b>ISO 7241 part A</b>

Valve Type	<b>Poppet</b>
Connection	<b>Push to Connect*</b>
Disconnection	<b>Pull to Disconnect*</b>
Connection Under Pressure	<b>Not Allowed</b>



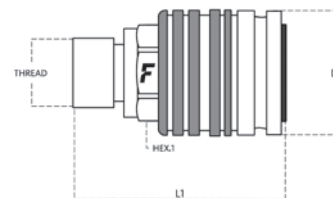
\* If panel mounted through the sleeve. Otherwise sleeve retraction.



**CPV**

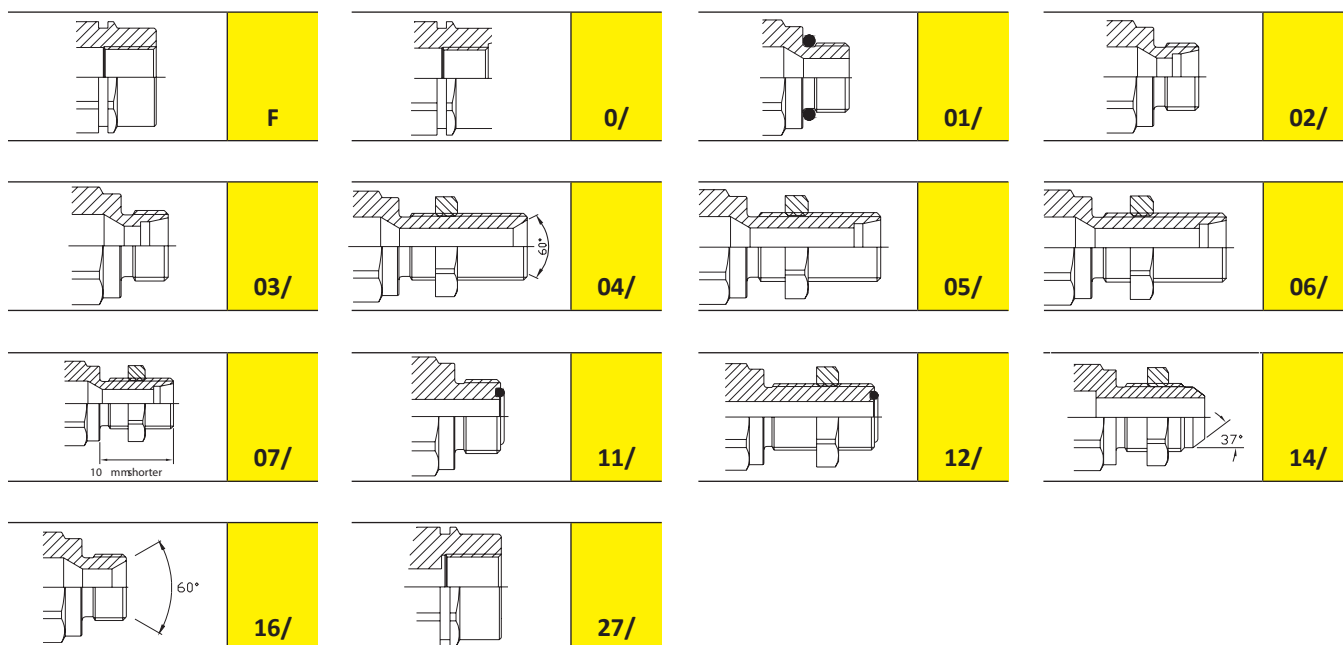
Size		Thread details			FEMALE							
mm	inch	Thread Type	Standard	Thread	Part Number	L (L1 + Thread)		D1		HEX1		
						mm	inch	mm	inch	mm	inch	
10	3/8"	07/ METRIC	ISO 8434-1-L	M14x1.5 MALE BULKHEAD SHORT 8L	CPV067/1415 F	76.7	3.02	33	1.3	24	0.94	
10	3/8"	02/ METRIC	ISO 8434-1-L	M16x1.5 MALE 10L	CPV062/1615 F	61.7	2.43	33	1.3	24	0.94	
10	3/8"	02/ METRIC	ISO 8434-1-L	M12x1.5 MALE 6L	CPV062/1215 F	60.7	2.39	33	1.3	24	0.94	
10	3/8"	01/ METRIC	ISO 6149-2	M16x1.5 MALE	CPV061/1615 F	62	2.44	33	1.3	24	0.94	
10	3/8"	F BSPP	ISO 1179-1	BSPP 3/8" FEMALE	CPV06 38 GAS F	64.5	2.54	33	1.3	24	0.94	
10	3/8"	F BSPP	ISO 1179-1	BSPP 1/2" FEMALE	CPV06 12 GAS F	65.5	2.58	33	1.3	24	0.94	
12.5	1/2"	27/ SAE	ISO 8434-3	1" - 14 UNS	CPV0827/58SAE F	69.3	2.73	38	1.5	30	1.18	
12.5	1/2"	11/ SAE	ISO 8434-3	1"-14 UNS MALE ORFS	CPV0811/58SAE F	66.8	2.63	38	1.5	27	1.06	
12.5	1/2"	07/ METRIC	ISO 8434-1-L	M26x1.5 MALE BULKHEAD SHORT 18L	CPV087/2615 F	90.8	3.57	40	1.57	30	1.18	
12.5	1/2"	07/ METRIC	ISO 8434-1-L	M16x1.5 MALE BULKHEAD SHORT 10L	CPV087/1615 F	78.8	3.1	38	1.5	27	1.06	
12.5	1/2"	06/ METRIC	ISO 8434-1-S	M20x1.5 MALE BULKHEAD 12S	CPV086/2015 F	86.3	3.4	40	1.57	27	1.06	
12.5	1/2"	05/ METRIC	ISO 8434-1-L	M22x1.5 MALE BULKHEAD 15L	CPV085/2215 F	86.3	3.4	38	1.5	27	1.06	
12.5	1/2"	05/ METRIC	ISO 8434-1-L	M16x1.5 MALE BULKHEAD 10L	CPV085/1615 F	86.3	3.4	38	1.5	27	1.06	
12.5	1/2"	04/ BSPP	ISO 8434-6	60° 3/8" BSPP MALE BULKHEAD	CPV084/38GAS F	87.8	3.46	38	1.5	27	1.06	
12.5	1/2"	04/ BSPP	ISO 8434-6	60° 1/2" BSPP MALE BULKHEAD	CPV084/12GAS F	87.8	3.46	38	1.5	27	1.06	
12.5	1/2"	03/ METRIC	ISO 8434-1-S	M24x1.5 MALE 16S	CPV083/2415 F	65.3	2.57	38	1.5	27	1.06	
12.5	1/2"	02/ METRIC	ISO 8434-1-L	M20x1.5 MALE 12S	CPV082/2015 F	63.3	2.49	38	1.5	27	1.06	
12.5	1/2"	02/ METRIC	ISO 8434-1-L	M14x1.5 MALE 8L	CPV082/1415 F	64.3	2.53	38	1.5	27	1.06	
12.5	1/2"	16/ METRIC	ISO 8434-6	60° 18x1.5 METRIC MALE	CPV0816/1815 F	65.3	2.57	38	1.5	27	1.06	
12.5	1/2"	16/ BSPP	ISO 8434-6	60° 1/2 BSPP MALE	CPV0816/12GAS F	65	2.56	38	1.5	27	1.06	
12.5	1/2"	14/ SAE	ISO 8434-2	3/4"-16 UN MALE BULKHEAD JIC	CPV0814/12SAE F	87.9	3.46	38	1.5	27	1.06	
12.5	1/2"	12/ SAE	ISO 8434-3	1"-14 UNS MALE BULKHEAD ORFS	CPV0812/58SAE F	96	3.78	38	1.5	34	1.34	
12.5	1/2"	12/ SAE	ISO 8434-3	13/16"-16 UN MALE BULKHEAD ORFS	CPV0812/12SAE F	85.8	3.38	38	1.5	27	1.06	
12.5	1/2"	11/ SAE	ISO 8434-3	13/16"-16 UN MALE ORFS	CPV0811/12SAE F	64.1	2.52	38	1.5	27	1.06	
12.5	1/2"	01/ METRIC	ISO 6149-2	M22x1.5 MALE	CPV081/2215 F	66.3	2.61	38	1.5	27	1.06	
12.5	1/2"	01/ SAE	ISO 11926-3	3/4"-16 UNF MALE	CPV081/12SAE F	62.4	2.46	38	1.5	27	1.06	
12.5	1/2"	0/ SAE	ISO 11926-1	7/8"-14 UNF FEMALE ORB	CPV080/58SAE F	62.3	2.45	38	1.5	27	1.06	
12.5	1/2"	0/ BSPP	BS 5380	3/8 BSP FEMALE ORB	CPV080/38GAS F	62.3	2.45	38	1.5	27	1.06	
12.5	1/2"	0/ METRIC	ISO 6149-1	M18x1.5 FEMALE ORB	CPV080/1815 F	62.3	2.45	38	1.5	27	1.06	
12.5	1/2"	0/ SAE	ISO 11926-1	3/4"-16 UNF FEMALE ORB	CPV080/12SAE F	66.3	2.61	38	1.5	27	1.06	
12.5	1/2"	F BSPP	ISO 1179-1	BSPP 3/8" FEMALE	CPV08 38 GAS F	62.3	2.45	38	1.18	27	1.06	
12.5	1/2"	F METRIC	ISO 9974-1	M22x1.5 FEMALE	CPV08 2215 F	66	2.6	38	1.5	27	1.06	
12.5	1/2"	03/ METRIC	ISO 8434-1-S	M20x1.5 MALE 12S	CPV083/2015 F	62.3	2.45	38	1.5	27	1.06	
12.5	1/2"	07/ METRIC	ISO 8434-1-L	M22x1.5 MALE BULKHEAD SHORT 15L	CPV087/2215 F	77.3	3.04	38	1.5	27	1.06	
12.5	1/2"	05/ METRIC	ISO 8434-1-L	M18x1.5 MALE BULKHEAD 12L	CPV085/1815 F	86.3	3.4	38	1.5	27	1.06	
12.5	1/2"	0/ BSPP	BS 5380	1/2 BSP FEMALE ORB	CPV080/12GAS F	66.3	2.61	38	1.5	27	1.06	
12.5	1/2"	0/ METRIC	ISO 6149-1	M22x1.5 FEMALE ORB	CPV080/2215 F	66.3	2.61	38	1.5	27	1.06	
12.5	1/2"	07/ METRIC	ISO 8434-1-L	M18x1.5 MALE BULKHEAD SHORT 12L	CPV087/1815 F	77.3	3.04	38	1.5	27	1.06	
12.5	1/2"	02/ METRIC	ISO 8434-1-L	M26x1.5 MALE 18L	CPV082/2615 F	62.3	2.45	38	1.5	27	1.06	
12.5	1/2"	02/ METRIC	ISO 8434-1-L	M22x1.5 MALE 15L	CPV082/2215 F	62.3	2.45	38	1.5	27	1.06	
12.5	1/2"	02/ METRIC	ISO 8434-1-L	M16x1.5 MALE 10L	CPV082/1615 F	63.8	2.51	38	1.5	27	1.06	
12.5	1/2"	02/ METRIC	ISO 8434-1-L	M18x1.5 MALE 12L	CPV082/1815 F	62.3	2.45	38	1.5	27	1.06	
12.5	1/2"	02/ METRIC	ISO 8434-1-L	M22x1.5 MALE 15L	CPV082/2215 F7	63.3	2.49	38	1.5	27	1.06	
12.5	1/2"	02/ METRIC	ISO 8434-1-L	M18x1.5 MALE 12L	CPV082/1815 F7	62.3	2.45	38	1.5	27	1.06	
20	3/4"	F BSPP	ISO 1179-1	BSPP 3/4" FEMALE	CPV12 34GAS F	95.3	3.75	46	1.8	34	1.34	
25	1"	05/ METRIC	ISO 8434-1-L	M36x2 MALE BULKHEAD 28L	CPV165/362 F	113.8	4.48	54	2.13	42	1.65	
25	1"	05/ METRIC	ISO 8434-1-L	M30x2 MALE BULKHEAD 22L	CPV165/302 F	116.8	4.6	54	2.13	41	1.61	
25	1"	05/ METRIC	ISO 8434-1-L	M26x1.5 MALE BULKHEAD 18L	CPV165/2615 F	124.3	4.89	54	2.13	38	1.5	
25	1"	03/ METRIC	ISO 8434-1-S	M30x2 MALE 20S	CPV163/302 F	100.3	3.95	54	2.13	38	1.5	

CPV



Size		Thread details			FEMALE							
mm	inch	Thread Type	Standard	Thread	Part Number	L (L1 + Thread)		D1		HEX1		
						mm	inch	mm	inch	mm	inch	
25	1"	O2/ METRIC	ISO 8434-1-L	M30x2 MALE 22L	CPV162/302 F	96.8	3.81	54	2.13	38	1.5	
25	1"	O2/ METRIC	ISO 8434-1-L	M26x1.5 MALE 18L	CPV162/2615 F	96.3	3.79	54	2.13	38	1.5	
25	1"	O/ BSPP	BS 5380	3/4 BSP FEMALE ORB	CPV160/34GAS F	97.3	3.83	54	2.13	38	1.5	
25	1"	O/ BSPP	BS 5380	1 BSP FEMALE ORB	CPV160/1GAS F	100.3	3.95	54	2.13	42	1.65	
25	1"	F BSPP	ISO 1179-1	BSPP 3/4" FEMALE	CPV16 34GAS F	97.3	3.83	54	2.13	38	1.5	
25	1"	O/ SAE	ISO 11926-1	1-5/16"-12 UN FEMALE ORB	CPV16 1SAE F	100.3	3.95	54	2.13	42	1.65	
25	1"	F BSPP	ISO 1179-1	BSPP 1" FEMALE	CPV16 1GAS F	102.3	4.03	54	2.13	42	1.65	

Part Numbers ending in 7 have Zn-Ni surface treatment for improved resistance against wear and corrosion.

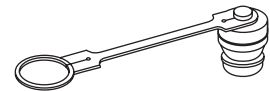


# CPV Accessories and Spares



---

## PVC dust protections



---

## Aluminium dust protections



---

## Seals Kits