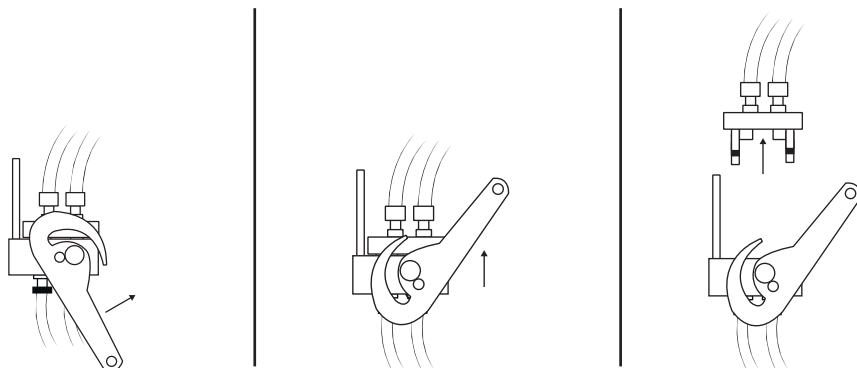

Disconnection



Hold firmly the lever and push the safety button. Lift up the lever till the rolling pins are free from the cams profiles. Place the mobile part on the suitable support. Close the dust protection on the fixed part.